

# Alfa Laval WideGap 100

## Gasketed plate-and-frame heat exchanger for fibrous fluids

Alfa Laval WideGap is used for fibrous liquids, for highly viscous fluids and for fluids containing coarse particles. The wide gaps between the plates, the plate pattern and the smooth port design allow fluids with fibres and particles to easily flow through the heat exchanger.

The available channel gap sizes for this model are:

- wide/wide 8/8 mm (0.31/0.31 inches)
- wide/narrow 11/5 mm (0.43/0.20 inches)

### Applications

- Biotech and Pharmaceutical
- Chemicals
- Energy and Utilities
- Food and Beverages
- Mining, Minerals and Pigments
- Pulp and Paper
- Water and Waste treatment

### Benefits

- Maximum uptime for fouling applications
- High energy efficiency – low operating cost
- Flexible configuration – heat transfer area can be modified
- Easy to install – compact design
- High serviceability – easy to open for inspection and cleaning and easy to clean by CIP
- Access to Alfa Laval's global service network

### Features

Every detail is carefully designed to ensure optimal performance, maximum uptime and easy maintenance. Selection of available features:

- 5-point alignment system
- Chocolate pattern distribution area
- Glued gasket
- ClipGrip™ gasket
- Leak chamber
- Fixed bolt head
- Key hole bolt opening
- Lifting lug
- Lining
- Lock washer
- Pressure plate roller
- Tightening bolt cover



### Extending performance

#### with Alfa Laval 360° Service Portfolio

Our extensive services ensure top performance from your Alfa Laval equipment throughout its life cycle. The availability of parts and our team's commitment and expertise bring you peace of mind.

#### Start-up

- Installation
- Installation Supervision
- Commissioning

#### Maintenance

- Cleaning Services
- Reconditioning
- Repair
- Service Tools
- Spare Parts

#### Support

- Exclusive Stock
- Technical Documentation
- Telephone Support
- Training
- Troubleshooting

#### Improvements

- Equipment Upgrades
- Redesign
- Replacement and Retrofit

#### Monitoring

- Condition Audit
- Performance Audit

### По вопросам продаж и поддержки обращайтесь:

Архангельск (8182)63-90-72  
Астана +7(7172)727-132  
Астрахань (8512)99-46-04  
Барнаул (3852)73-04-60  
Белгород (4722)40-23-64  
Брянск (4832)59-03-52  
Владивосток (423)249-28-31  
Волгоград (844)278-03-48  
Вологда (8172)26-41-59  
Воронеж (473)204-51-73  
Екатеринбург (343)384-55-89  
Иваново (4932)77-34-06  
Ижевск (3412)26-03-58  
Иркутск (395) 279-98-46

Казань (843)206-01-48  
Калининград (4012)72-03-81  
Калуга (4842)92-23-67  
Кемерово (3842)65-04-62  
Киров (8332)68-02-04  
Краснодар (861)203-40-90  
Красноярск (391)204-63-61  
Курск (4712)77-13-04  
Липецк (4742)52-20-81  
Магнитогорск (3519)55-03-13  
Москва (495)268-04-70  
Мурманск (8152)59-64-93  
Набережные Челны (8552)20-53-41  
Нижний Новгород (831)429-08-12

Новокузнецк (3843)20-46-81  
Новосибирск (383)227-86-73  
Омск (3812)21-46-40  
Орел (4862)44-53-42  
Оренбург (3532)37-68-04  
Пенза (8412)22-31-16  
Пермь (342)205-81-47  
Ростов-на-Дону (863)308-18-15  
Рязань (4912)46-61-64  
Самара (846)206-03-16  
Санкт-Петербург (812)309-46-40  
Саратов (845)249-38-78  
Севастополь (8692)22-31-93  
Симферополь (3652)67-13-56

Смоленск (4812)29-41-54  
Сочи (862)225-72-31  
Ставрополь (8652)20-65-13  
Сургут (3462)77-98-35  
Тверь (4822)63-31-35  
Томск (3822)98-41-53  
Тула (4872)74-02-29  
Тюмень (3452)66-21-18  
Ульяновск (8422)24-23-59  
Уфа (347)229-48-12  
Хабаровск (4212)92-98-04  
Челябинск (351)202-03-61  
Череповец (8202)49-02-64  
Ярославль (4852)69-52-93

Киргизия (996)312-96-26-47

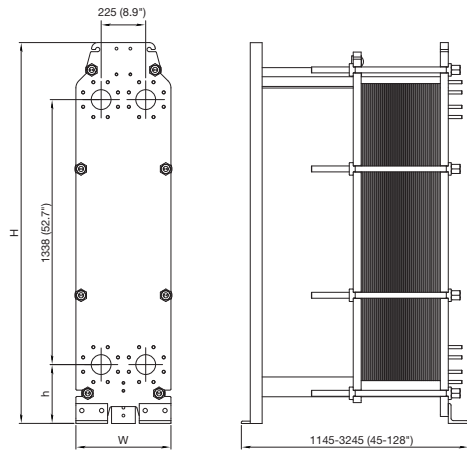
Казахстан (772)734-952-31

Таджикистан (992)427-82-92-69

Эл. почта: [afm@nt-rt.ru](mailto:afm@nt-rt.ru) || Сайт: <http://alfa-laval.nt-rt.ru>

## Dimensional drawing

Measurements mm (inches)



Type	H	W	h
TL10-FM	1881 (74.0")	480 (18.9")	294.5 (10.0")
TL10-FG	1981 (78.0")	480 (18.9")	297 (11.7")

The number of tightening bolts may vary depending on pressure rating.

## Technical data

### Plates

Name	Type	Free channel, mm (inches)
TL10-S	Wide-gap	11 / 5 (0.43/0.20) wide/narrow 8 / 8 (0.31/0.31) wide/wide

### Materials

Heat transfer plates	316/316L, 254 Ti
Field gaskets	NBR, EPDM, FKM
Flange connections	Metal lined: stainless steel, titanium
Frame and pressure plate	Carbon steel, epoxy painted

Other materials may be available on request.

All option combinations may not be configurable.

## Operational data

Frame, PV-code	Max. design pressure (barg/psig)	Max. design temperature (°C/°F)
FM, pvcALS	10.3/150	180/356
FG, pvcALS	16.0/232	180/356
FG, ASME	10.3/150	250/482
FG, PED	16.0/232	180/356

Extended pressure and temperature rating may be available on request.

## Flange connections

FM, pvcALS	EN 1092-1 DN100 PN10 ASME B16.5 Class 150 NPS 4 JIS B2220 10K 100A
FG, pvcALS	EN 1092-1 DN100 PN16 ASME B16.5 Class 150 NPS 4 JIS B2220 10K 100A JIS B2220 16K 100A
FG, ASME	ASME B16.5 Class 150 NPS 4
FG, PED	EN 1092-1 DN100 PN16 ASME B16.5 Class 150 NPS 4

Standard EN1092-1 corresponds to GOST 12815-80 and GB/T 9115.

### How to contact Alfa Laval

Contact details for all countries are continually updated on our website. Please visit [www.alfalaval.com](http://www.alfalaval.com) to access the information direct.



# Alfa Laval WideGap 200

## Gasketed plate-and-frame heat exchanger for fibrous fluids

Alfa Laval WideGap is used for fibrous liquids, for highly viscous fluids and for fluids containing coarse particles. The wide gaps between the plates, the plate pattern and the smooth port design allow fluids with fibres and particles to easily flow through the heat exchanger.

The available channel gap sizes for this model are:

- wide/wide 8/8 mm (0.31/0.31 inches)
- wide/narrow 11/5 mm (0.43/0.20 inches)

### Applications

- Biotech and Pharmaceutical
- Chemicals
- Energy and Utilities
- Food and Beverages
- Mining, Minerals and Pigments
- Pulp and Paper
- Water and Waste treatment

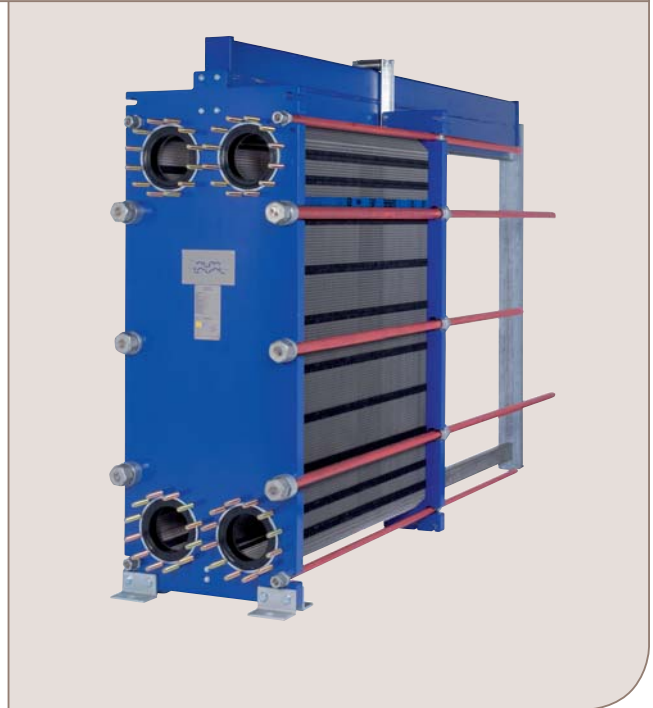
### Benefits

- Maximum uptime for fouling applications
- High energy efficiency – low operating cost
- Flexible configuration – heat transfer area can be modified
- Easy to install – compact design
- High serviceability – easy to open for inspection and cleaning and easy to clean by CIP
- Access to Alfa Laval's global service network

### Features

Every detail is carefully designed to ensure optimal performance, maximum uptime and easy maintenance. Selection of available features:

- 5-point alignment system
- Reinforced hanger
- Chocolate pattern distribution area
- Glued gasket
- Clip-on gasket
- Leak chamber
- Bearing box
- Fixed bolt head
- Key hole bolt opening
- Lifting lug
- Lining
- Lock washer
- Pressure plate roller
- Tightening bolt cover



### Extending performance

#### with Alfa Laval 360° Service Portfolio

Our extensive services ensure top performance from your Alfa Laval equipment throughout its life cycle. The availability of parts and our team's commitment and expertise bring you peace of mind.

#### Start-up

- Installation
- Installation Supervision
- Commissioning

#### Maintenance

- Cleaning Services
- Reconditioning
- Repair
- Service Tools
- Spare Parts

#### Support

- Exclusive Stock
- Technical Documentation
- Telephone Support
- Training
- Troubleshooting

#### Improvements

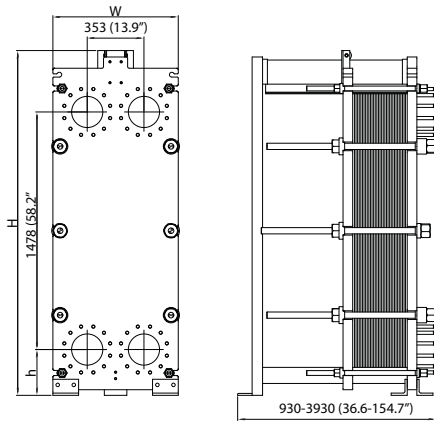
- Equipment Upgrades
- Redesign
- Replacement and Retrofit

#### Monitoring

- Condition Audit
- Performance Audit

## Dimensional drawing

Measurements mm (inches)



Type	H	W	h
T20-FM	2145 (84.45")	780 (30.71")	285 (11.22")
T20-FG	2145 (84.45")	780 (30.71")	285 (11.22")

## Technical data

### Plates

Name	Type	Free channel, mm (inches)
T20-S	Wide-gap	11 / 5 (0.43/0.20) wide/narrow 8 / 8 (0.31/0.31) wide/wide

### Materials

Heat transfer plates	316/316L, 254
Field gaskets	NBR, EPDM, FKM
Flange connections	Carbon steel Metal lined: stainless steel, titanium
Frame and pressure plate	Carbon steel, epoxy painted

Other materials may be available on request.

All option combinations may not be configurable.

## Operational data

Frame, PV-code	Max. design pressure (barg/psig)	Max. design temperature (°C/°F)
FM, pvcALS	10.0/145	180/356
FG, ASME	10.3/150	177/350
FG, PED	16.0/232	180/356

Extended pressure and temperature rating may be available on request.

### Flange connections

FM, pvcALS	EN 1092-1 DN200 PN10 ASME B16.5 Class 150 NPS 8 JIS B2220 10K 200A
FG, pvcALS	EN 1092-1 DN200 PN16 ASME B16.5 Class 150 NPS 8 JIS B2220 10K 200A JIS B2220 16K 200A
FG, ASME	ASME B16.5 Class 150 NPS 8
FG, PED	EN 1092-1 DN200 PN10 EN 1092-1 DN200 PN16 EN 1092-1 DN200 PN25 ASME B16.5 Class 150 NPS 8

Standard EN1092-1 corresponds to GOST 12815-80 and GB/T 9115.

### How to contact Alfa Laval

Contact details for all countries are continually updated on our website. Please visit [www.alfalaval.com](http://www.alfalaval.com) to access the information direct.



# Alfa Laval WideGap 350

## Gasketed plate-and-frame heat exchanger for fibrous fluids

Alfa Laval WideGap is used for fibrous liquids, for highly viscous fluids and for fluids containing coarse particles. The wide gaps between the plates, the plate pattern and the smooth port design allow fluids with fibres and particles to easily flow through the heat exchanger.

The available channel gap sizes for this model are:

- wide/narrow 11/5 mm (0.43/0.20 inches)
- wide/narrow 17/5 mm (0.67/0.20 inches)
- wide/wide 11/11 mm (0.43/0.43 inches)

### Applications

- Biotech and Pharmaceutical
- Chemicals
- Energy and Utilities
- Food and Beverages
- Mining, Minerals and Pigments
- Pulp and Paper
- Water and Waste treatment

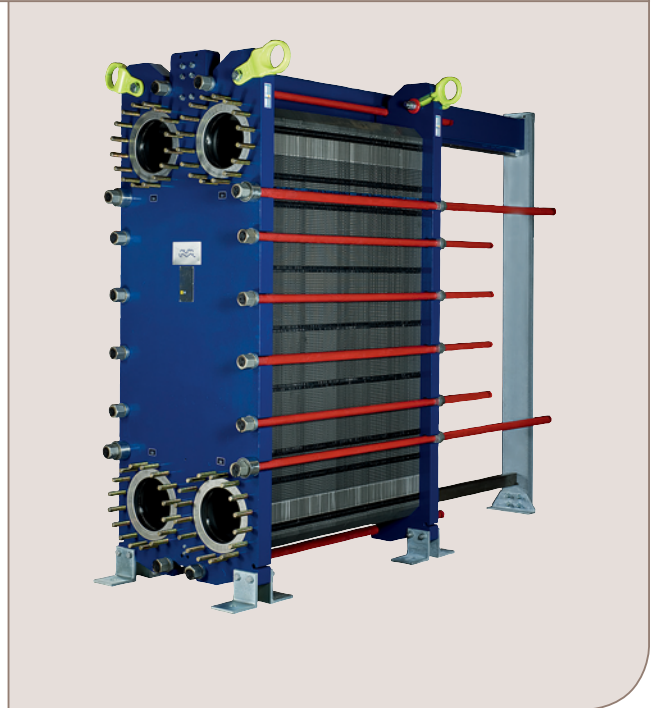
### Benefits

- Maximum uptime for fouling applications
- High energy efficiency – low operating cost
- Flexible configuration – heat transfer area can be modified
- Easy to install – compact design
- High serviceability – easy to open for inspection and cleaning and easy to clean by CIP
- Access to Alfa Laval's global service network

### Features

Every detail is carefully designed to ensure optimal performance, maximum uptime and easy maintenance. Selection of available features:

- 5-point alignment system
- Reinforced hanger
- Chocolate pattern distribution area
- Glued gasket
- Clip-on gasket
- Leak chamber
- Bearing box
- Fixed bolt head
- Key hole bolt opening
- Lifting lug
- Lining
- Lock washer
- Pressure plate roller
- Tightening bolt cover



### Extending performance

#### with Alfa Laval 360° Service Portfolio

Our extensive services ensure top performance from your Alfa Laval equipment throughout its life cycle. The availability of parts and our team's commitment and expertise bring you peace of mind.

#### Start-up

- Installation
- Installation Supervision
- Commissioning

#### Maintenance

- Cleaning Services
- Reconditioning
- Repair
- Service Tools
- Spare Parts

#### Support

- Exclusive Stock
- Technical Documentation
- Telephone Support
- Training
- Troubleshooting

#### Improvements

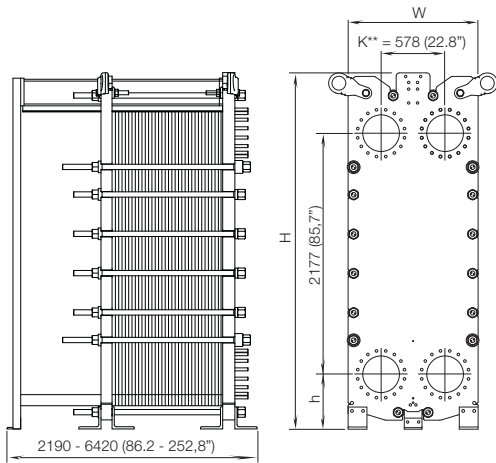
- Equipment Upgrades
- Redesign
- Replacement and Retrofit

#### Monitoring

- Condition Audit
- Performance Audit

## Dimensional drawing

Measurements mm (inches)



Type	H	W	h
TL35-FM	3210 (126.4")	1154 (45.4")	488 (19.2")
TL35-FG	3210 (126.4")	1154 (45.4")	488 (19.2")

The number of tightening bolts may vary depending on pressure rating.

## Technical data

### Plates

Name	Type	Free channel, mm (inches)
TL35-S	Wide-gap	11 / 5 (0.43/0.20) wide/narrow 8 / 8 (0.31/0.31) wide/wide
TL35-X	Wide-gap	17 / 5 (0.67/0.20) wide/narrow 11 / 11 (0.43/0.43) wide/narrow

### Materials

Heat transfer plates	316/316L, 254 C-2000 Ti
Field gaskets	NBR, EPDM, FKM
Flange connections	Carbon steel Metal lined: stainless steel, titanium
Frame and pressure plate	Carbon steel, epoxy painted

Other materials may be available on request.

All option combinations may not be configurable.

## Operational data

Frame, PV-code	Max. design pressure (barg/psig)	Max. design temperature (°C/°F)
FM, pvcALS	10.0/145	180/356
FM, ASME	6.9/100	148/300
FM, PED	10.0/145	180/356
FG, pvcALS	10.0/145	180/356
FG, ASME	10.3/150	177/350
FG, PED	10.0/145	180/356

Extended pressure and temperature rating may be available on request.

## Flange connections

FM, pvcALS	EN 1092-1 DN350 PN10
FM, ASME	ASME B16.5 Class 150 NPS 14
FM, PED	EN 1092-1 DN350 PN10
FG, pvcALS	EN 1092-1 DN350 PN10
FG, ASME	ASME B16.5 Class150 NPS 14
FG, PED	EN 1092-1 DN350 PN10 ASME B16.5 Class 150 NPS 14

Standard EN1092-1 corresponds to GOST 12815-80 and GB/T 9115.

## По вопросам продаж и поддержки обращайтесь:

Архангельск (8182)63-90-72	Казань (843)206-01-48	Новокузнецк (3843)20-46-81	Смоленск (4812)29-41-54
Астана +7(7172)727-132	Калининград (4012)72-03-81	Новосибирск (383)227-86-73	Сочи (862)225-72-31
Астрахань (8512)99-46-04	Калуга (4842)92-23-67	Орел (4862)44-53-42	Ставрополь (8652)20-65-13
Барнаул (3852)73-04-60	Кемерово (3842)65-04-62	Оренбург (3532)37-68-04	Сургут (3462)77-98-35
Белгород (4722)40-23-64	Киров (8332)68-02-04	Пенза (8412)22-31-16	Тверь (4822)63-31-35
Брянск (4832)59-03-52	Краснодар (861)203-40-90	Пермь (342)205-81-47	Томск (3822)98-41-53
Владивосток (423)249-28-31	Красноярск (391)204-63-61	Ростов-на-Дону (863)308-18-15	Тула (4872)74-02-29
Волгоград (844)278-03-48	Курск (4712)77-13-04	Рязань (4912)46-61-64	Тюмень (3452)66-21-18
Вологда (8172)26-41-59	Липецк (4742)52-20-81	Самара (846)206-03-16	Ульяновск (8422)24-23-59
Воронеж (473)204-51-73	Магнитогорск (3519)55-03-13	Санкт-Петербург (812)309-46-40	Уфа (347)229-48-12
Екатеринбург (343)384-55-89	Москва (495)268-04-70	Саратов (845)249-38-78	Хабаровск (4212)92-98-04
Иваново (4932)77-34-06	Мурманск (8152)59-64-93	Севастополь (8692)22-31-93	Челябинск (351)202-03-61
Ижевск (3412)26-03-58	Набережные Челны (8552)20-53-41	Симферополь (3652)67-13-56	Череповец (8202)49-02-64
Иркутск (395) 279-98-46	Нижний Новгород (831)429-08-12		Ярославль (4852)69-52-93

Киргизия (996)312-96-26-47

Казахстан (772)734-952-31

Таджикистан (992)427-82-92-69

Эл. почта: [afm@nt-rt.ru](mailto:afm@nt-rt.ru) || Сайт: <http://alfa-ival.nt-rt.ru>