

TYR-C

Chilli cooler

General information & application

Chilli coolers Helpman TYR-C have been fully optimized in capacity, airflow and dimensions to meet the requirements for dried chilli storage facilities in India, the largest exporter of dried chilli in the world. Application of TYR-C chilli coolers warrants that the dried chillies are protected from moisture and kept in the best conditions to maintain optimum product quality during the storage period.

Evaporating temp.	+5 to -15 °C
Refrigerants	R717, H(C)FC, brine
Capacities*	21.3 to 28.4 kW
Chilli storage capacity	1500-2000 MT/chamber

*R717 flooded, evap. temperature -5 °C, DT1=7K

Standard configuration

- Finned coil
 - Stainless steel tubing ø 16 mm
 - Tube pitch 50 x 50 mm square
 - Corrugated Alu-fins, fin spacing 4 mm.
- Fitted with 2 or 3 blow-through fans ø 508 mm, fan power 230/400/50/3. Enclosed design spray-tight fan motors, protection class IP55. Motors are equipped with a thermal safety device in the windings, connected to separate terminals in the box.
- Corrosion resistant casing material: Aluminium/Sendzimir, white epoxy coated (RAL 9003).
- Extra wide drip tray fitted with air guiding flaps to ensure an even air distribution throughout the storage room and maintain correct humidity level without chill injuries.
- Fitted with schröder valve on the suction connection for testing purposes.
- Stickers indicate fan direction and refrigerant in/out.
- Delivery in mounting position. Coolers are mounted on wooden beams. Installation can take place with use of a forklift.



TYR-C

Options

- Flange connections (F)
- Extra deep drip tray with additional water storage capacity.
- Extended mounting feet

Design pressure

Design pressure 33 bar (H(C)FC), 27 bar (ammonia) or 6 bar (brine). Higher design pressures on request. Each heat exchanger is leak tested with dry air and finally supplied with a nitrogen pre-charge.

Please contact our sales organisation for selection and full technical details.



По вопросам продаж и поддержки обращайтесь:

Архангельск (8182)63-90-72
Астана +7(7172)727-132
Астрахань (8512)99-46-04
Барнаул (3852)73-04-60
Белгород (4722)40-23-64
Брянск (4832)59-03-52
Владивосток (423)249-28-31
Волгоград (844)278-03-48
Вологда (8172)26-41-59
Воронеж (473)204-51-73
Екатеринбург (343)384-55-89
Иваново (4932)77-34-06
Ижевск (3412)26-03-58
Иркутск (395) 279-98-46

Казань (843)206-01-48
Калининград (4012)72-03-81
Калуга (4842)92-23-67
Кемерово (3842)65-04-62
Киров (8332)68-02-04
Краснодар (861)203-40-90
Красноярск (391)204-63-61
Курск (4712)77-13-04
Липецк (4742)52-20-81
Магнитогорск (3519)55-03-13
Москва (495)268-04-70
Мурманск (8152)59-64-93
Набережные Челны (8552)20-53-41
Нижний Новгород (831)429-08-12

Новокузнецк (3843)20-46-81
Новосибирск (383)227-86-73
Омск (3812)21-46-40
Орел (4862)44-53-42
Оренбург (3532)37-68-04
Пенза (8412)22-31-16
Пермь (342)205-81-47
Ростов-на-Дону (863)308-18-15
Рязань (4912)46-61-64
Самара (846)206-03-16
Санкт-Петербург (812)309-46-40
Саратов (845)249-38-78
Севастополь (8692)22-31-93
Симферополь (3652)67-13-56

Смоленск (4812)29-41-54
Сочи (862)225-72-31
Ставрополь (8652)20-65-13
Сургут (3462)77-98-35
Тверь (4822)63-31-35
Томск (3822)98-41-53
Тула (4872)74-02-29
Тюмень (3452)66-21-18
Ульяновск (8422)24-23-59
Уфа (347)229-48-12
Хабаровск (4212)92-98-04
Челябинск (351)202-03-61
Череповец (8202)49-02-64
Ярославль (4852)69-52-93

Киргизия (996)312-96-26-47

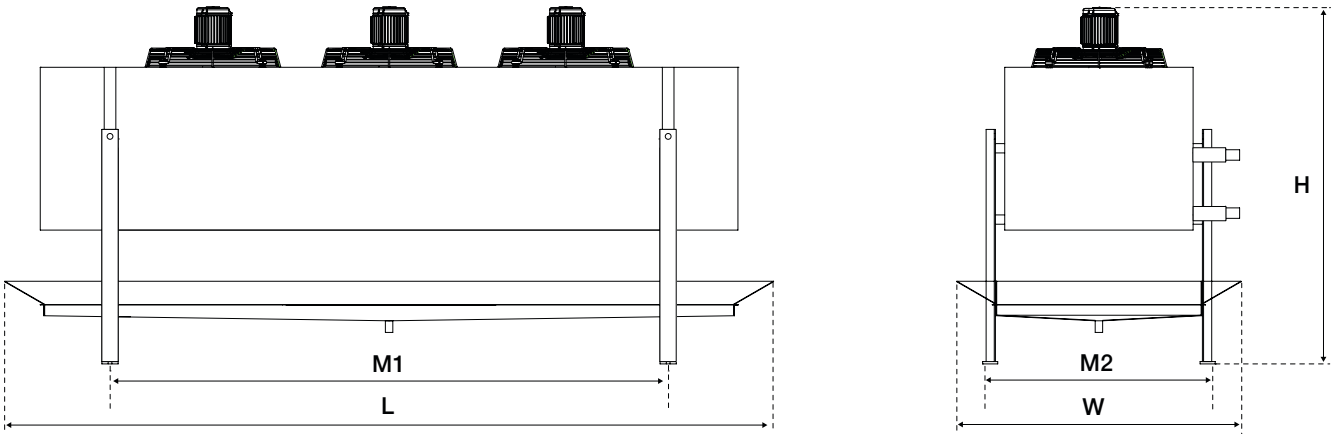
Казахстан (772)734-952-31

Таджикистан (992)427-82-92-69

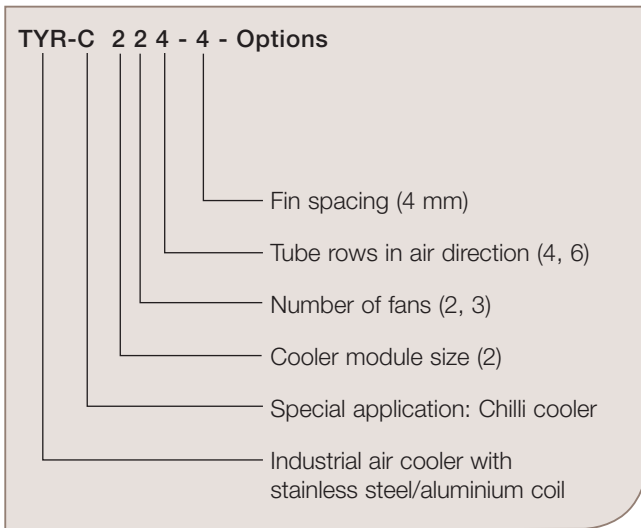
Эл. почта: afm@nt-rt.ru || Сайт: <http://alfa-laval.nt-rt.ru>

model	capacity	air volume	coil surface	int. vol.	Fans					Dimensions					Connections	
					power		sound press.	sound power	L	W	H	M1	M2	suction	liquid	
					nom/abs	no.										Watt
TYR-C 224	21.3	13500	91.9	20	2	370/500	1.4	64.4	90	2450	1250	1500	1600	800	60	60
TYR-C 236	28.4	18000	206.8	42	3	370/500	1.4	66.4	92	3450	1250	1500	2400	800	60	60

* A = Adjustment setting thermal relay (A)



Code description



Benefits

- Application based air cooler design resulting in perfect product quality.
- Cooler dimensions optimized for most common storage facilities in India.
- Energy efficient fans with sufficient air volume.
- Heavy duty coil & casing materials, resulting in a long operational product life.
- Reliable performance.
- Easy-install.
- Low total cost of ownership.
- Two-year product guarantee.
- Easy access to additional on-line product information (QR code)

По вопросам продаж и поддержки обращайтесь:

Архангельск (8182)63-90-72
 Астана +7(7172)727-132
 Астрахань (8512)99-46-04
 Барнаул (3852)73-04-60
 Белгород (4722)40-23-64
 Брянск (4832)59-03-52
 Владивосток (423)249-28-31
 Волгоград (844)278-03-48
 Вологда (8172)26-41-59
 Воронеж (473)204-51-73
 Екатеринбург (343)384-55-89
 Иваново (4932)77-34-06
 Ижевск (3412)26-03-58
 Иркутск (395) 279-98-46

Казань (843)206-01-48
 Калининград (4012)72-03-81
 Калуга (4842)92-23-67
 Кемерово (3842)65-04-62
 Киров (8332)68-02-04
 Краснодар (861)203-40-90
 Красноярск (391)204-63-61
 Курск (4712)77-13-04
 Липецк (4742)52-20-81
 Магнитогорск (3519)55-03-13
 Москва (495)268-04-70
 Мурманск (8152)59-64-93
 Набережные Челны (8552)20-53-41
 Нижний Новгород (831)429-08-12

Новокузнецк (3843)20-46-81
 Новосибирск (383)227-86-73
 Омск (3812)21-46-40
 Орел (4862)44-53-42
 Оренбург (3532)37-68-04
 Пенза (8412)22-31-16
 Пермь (342)205-81-47
 Ростов-на-Дону (863)308-18-15
 Рязань (4912)46-61-64
 Самара (846)206-03-16
 Саратов (845)209-46-40
 Санкт-Петербург (812)309-38-78
 Саратов (845)249-38-78
 Севастополь (8692)22-31-93
 Симферополь (3652)67-13-56

Смоленск (4812)29-41-54
 Сочи (862)225-72-31
 Ставрополь (8652)20-65-13
 Сургут (3462)77-98-35
 Тверь (4822)63-31-35
 Томск (3822)98-41-53
 Тула (4872)74-02-29
 Тюмень (3452)66-21-18
 Ульяновск (8422)24-23-59
 Уфа (347)229-48-12
 Хабаровск (4212)92-98-04
 Челябинск (351)202-03-61
 Череповец (8202)49-02-64
 Ярославль (4852)69-52-93

Киргизия (996)312-96-26-47

Казахстан (772)734-952-31

Таджикистан (992)427-82-92-69

Эл. почта: afm@nt-rt.ru || Сайт: <http://alfa-ival.nt-rt.ru>