

Arctigo HRCD

Banana ripening cooler – Airbag / side curtain system

General information & application

Banana ripening coolers Arctigo HRCD have been designed for application in airbag & side curtain system banana ripening rooms. The coolers have been optimised for 12.5 °C air-on and 11.5 °C air-off temperature at an evaporating temperature of 7 °C.

Arctigo HRCD air coolers provide for an even temperature distribution throughout the whole ripening room, guaranteeing that the products are ripened as evenly as possible.

Evaporating temp.	7 °C (optimised)
Refrigerants	all H(C)FC, brine, CO ₂
Capacities (SC2)	8 up to 38 kW
Banana rooms	6 to 30 pallets



Arctigo HRCD

Standard configuration

- Finned coil
 - Cu ripple fin tubing \varnothing 5/8" (smooth tubing for brine)
 - Tube pitch 50 x 50 mm square
 - Corrugated Alu-fins.
- 3-5 Fans 400/50/3, \varnothing 508 and 550 mm.
Cables are led to the outside of the casing.
Enclosed design spray-tight fan motors, protection class IP55. Motors are equipped with a thermal safety device in the windings, connected to separate terminals in the box.
- Lighting integrated into the cooler casing.
- Heater elements

- Corrosion resistant casing material:
Aluminium/Senzimir, white epoxy coated (RAL 9002).
- Hinged driptrays
- Fitted with schröder valve on the suction connection for testing purposes.
- Sufficient room for fitting the expansion valve inside.
- Suitable for dry expansion or pumped system.
- Stickers indicate fan direction and refrigerant in/out.
- Delivery in mounting position. Coolers are mounted on wooden beams. Installation can take place with use of a forklift.



Airbag system ripening room.

Benefits

- Application based air cooler design
- Full control over the ripening process resulting in perfect product quality.
- Heavy duty coil & casing materials
- Reliable performance
- Easy-install.
- Energy efficient.
- Low total cost of ownership.
- Two-year product guarantee.
- Easy access to additional on-line product information (QR code)

По вопросам продаж и поддержки обращайтесь:

Архангельск (8182)63-90-72
Астана +7(7172)727-132
Астрахань (8512)99-46-04
Барнаул (3852)73-04-60
Белгород (4722)40-23-64
Брянск (4832)59-03-52
Владивосток (423)249-28-31
Волгоград (844)278-03-48
Вологда (8172)26-41-59
Воронеж (473)204-51-73
Екатеринбург (343)384-55-89
Иваново (4932)77-34-06
Ижевск (3412)26-03-58
Иркутск (395) 279-98-46

Казань (843)206-01-48
Калининград (4012)72-03-81
Калуга (4842)92-23-67
Кемерово (3842)65-04-62
Киров (8332)68-02-04
Краснодар (861)203-40-90
Красноярск (391)204-63-61
Курск (4712)77-13-04
Липецк (4742)52-20-81
Магнитогорск (3519)55-03-13
Москва (495)268-04-70
Мурманск (8152)59-64-93
Набережные Челны (8552)20-53-41
Нижний Новгород (831)429-08-12

Новокузнецк (3843)20-46-81
Новосибирск (383)227-86-73
Омск (3812)21-46-40
Орел (4862)44-53-42
Оренбург (3532)37-68-04
Пенза (8412)22-31-16
Пермь (342)205-81-47
Ростов-на-Дону (863)308-18-15
Рязань (4912)46-61-64
Самара (846)206-03-16
Санкт-Петербург (812)309-46-40
Саратов (845)249-38-78
Севастополь (8692)22-31-93
Симферополь (3652)67-13-56

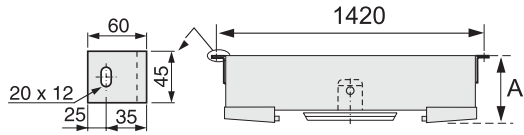
Смоленск (4812)29-41-54
Сочи (862)225-72-31
Ставрополь (8652)20-65-13
Сургут (3462)77-98-35
Тверь (4822)63-31-35
Томск (3822)98-41-53
Тула (4872)74-02-29
Тюмень (3452)66-21-18
Ульяновск (8422)24-23-59
Уфа (347)229-48-12
Хабаровск (4212)92-98-04
Челябинск (351)202-03-61
Череповец (8202)49-02-64
Ярославль (4852)69-52-93

Киргизия (996)312-96-26-47

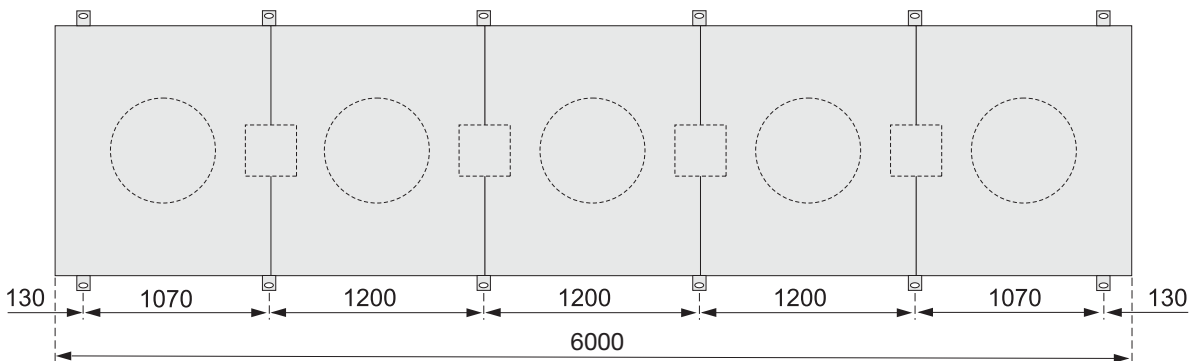
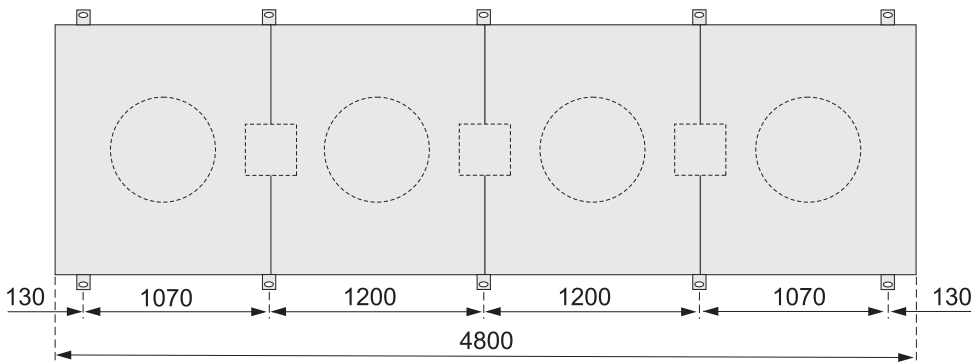
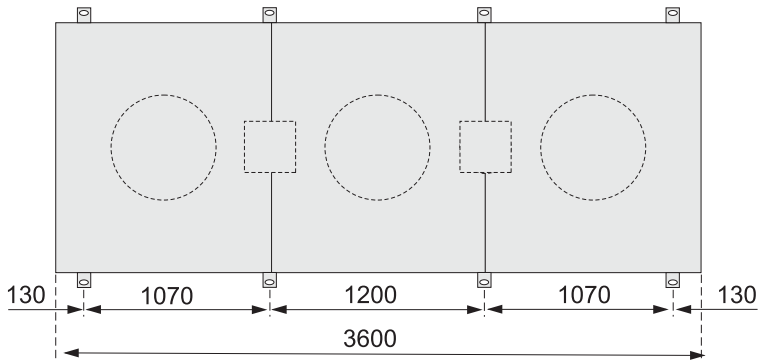
Казахстан (772)734-952-31

Таджикистан (992)427-82-92-69

Эл. почта: afm@nt-rt.ru || Сайт: <http://alfa-laval.nt-rt.ru>



HRCD model	nr. of fans	pallet layers	nr. of pallets	dim. A mm
06-I	3	1	3 x 2 = 6	350
08-I	4	1	4 x 2 = 8	350
10-I	5	1	5 x 2 = 10	350
12-II	3	2	3 x 4 = 12	600
16-II	4	2	4 x 4 = 16	600
20-II	5	2	5 x 4 = 20	600
18-III	3	3	3 x 6 = 18	850
24-III	4	3	4 x 6 = 24	850
30-III	5	3	5 x 6 = 30	850



Code description

HRCD	24	III
1	2	3

- Banana ripening cooler airbag/side curtain system
- Maximum number of pallets in ripening room
- Number of pallet layers

Design pressure

Design pressure 33 bar (H(C)FC) or 10 bar (brine). Each heat exchanger is leak tested with dry air and finally supplied with a nitrogen pre-charge.

Please contact our sales organisation for selection and full technical details.