

AlfaBlue Junior XG

CO₂ gas coolers – commercial range

General information & application

AlfaBlue Junior is a competitive gas cooler line that offers excellent performance, allowing easy installation on site and an outstanding integration with other components. High efficient fan motors combine excellent sound characteristics and low energy consumption. AlfaBlue Junior XG gas coolers have been specifically designed for CO₂ refrigerant systems.

Refrigerants	CO ₂
Capacity range*	3.2 up to 230 kW

* air temperature = 35°C, CO₂ at 90 bar, gas temperature in/out = 120/38°C



AlfaBlue Junior XG

Finned coil

An innovative coil design based on K65 tubes, Cu alloy connections and aluminium turbo fins, provides excellent heat transfer. Standard fin spacing 2.1 mm. Circuiting design is fully optimized to the thermodynamic properties of CO₂. Each heat exchanger is leak tested with high pressure nitrogen and finally supplied with a nitrogen pre-charge.

Construction

Patented coil frame design allowing thermal expansion and offering protection against vibration. Corrosion resistant casing material, powder coated RAL9002. Separated fan sections.

Fans

High efficiency AC or EC fans and low power consumption. Available in three fan diameters 350, 500 & 630 mm, different power supplies (230/50-60/1, 400/50/3, 480/60/3) and four noise levels. Protection class IP 54 according to DIN 40050. AC motors are fitted with integrated thermo contacts to provide reliable protection against thermal overload (terminals in the box).

Options

- Switch on/off (SW)
- Connection box for electrical power connection (CB)
- Fan speed control 230/1 and 400/3 (FP)
- Coil options:
 - Epoxy coated fins (EP)
 - Seawater resistant aluminium AlMg fins (SWR)
 - Copper fins (CU)
 - F-coat treatment (FC)
 - Industrial fins (IF)
 - Fin spacing 2.5 mm. Other fin spacings on request.
- Vibration dampers (VD)
- End covers (CV)
- Mounting feet kit for vertical airflow
- Stainless steel header tubes for on-site welding connections

Benefits

- Fully optimized design for CO₂
- Reduced refrigerant charge
- Excellent sound characteristics, suitable for residential applications
- Energy efficient
- Easy installation & maintenance
- Two-year product guarantee
- Easy access to on-line product information

По вопросам продаж и поддержки обращайтесь:

Архангельск (8182)63-90-72
Астана +7(7172)727-132
Астрахань (8512)99-46-04
Барнаул (3852)73-04-60
Белгород (4722)40-23-64
Брянск (4832)59-03-52
Владивосток (423)249-28-31
Волгоград (844)278-03-48
Вологда (8172)26-41-59
Воронеж (473)204-51-73
Екатеринбург (343)384-55-89
Иваново (4932)77-34-06
Ижевск (3412)26-03-58
Иркутск (395) 279-98-46

Казань (843)206-01-48
Калининград (4012)72-03-81
Калуга (4842)92-23-67
Кемерово (3842)65-04-62
Киров (8332)68-02-04
Краснодар (861)203-40-90
Красноярск (391)204-63-61
Курск (4712)77-13-04
Липецк (4742)52-20-81
Магнитогорск (3519)55-03-13
Москва (495)268-04-70
Мурманск (8152)59-64-93
Набережные Челны (8552)20-53-41
Нижний Новгород (831)429-08-12

Новокузнецк (3843)20-46-81
Новосибирск (383)227-86-73
Омск (3812)21-46-40
Орел (4862)44-53-42
Оренбург (3532)37-68-04
Пенза (8412)22-31-16
Пермь (342)205-81-47
Ростов-на-Дону (863)308-18-15
Рязань (4912)46-61-64
Самара (846)206-03-16
Санкт-Петербург (812)309-46-40
Саратов (845)249-38-78
Севастополь (8692)22-31-93
Симферополь (3652)67-13-56

Смоленск (4812)29-41-54
Сочи (862)225-72-31
Ставрополь (8652)20-65-13
Сургут (3462)77-98-35
Тверь (4822)63-31-35
Томск (3822)98-41-53
Тула (4872)74-02-29
Тюмень (3452)66-21-18
Ульяновск (8422)24-23-59
Уфа (347)229-48-12
Хабаровск (4212)92-98-04
Челябинск (351)202-03-61
Череповец (8202)49-02-64
Ярославль (4852)69-52-93

Киргизия (996)312-96-26-47

Казахстан (772)734-952-31

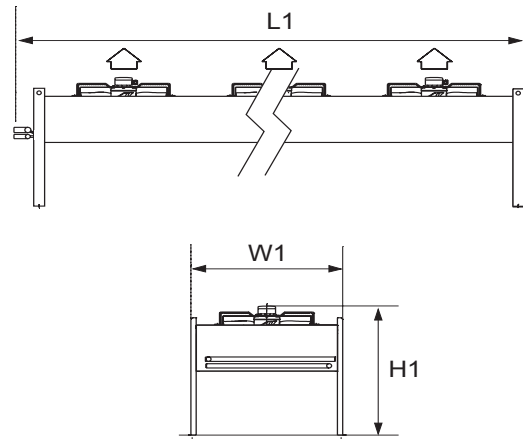
Таджикистан (992)427-82-92-69

Эл. почта: afm@nt-rt.ru || Сайт: <http://alfa-laval.nt-rt.ru>

Dimensions

XG	Dimensions mm*						
	type	fans	L1	H1	W1	L2	H2
351	1	820	600	548	820	529	390
352	2	1420	600	548	1420	529	390
353	3	2020	600	548	2020	529	390
501	1	1165	890	899	1165	826	512
502	2	2065	890	899	2065	826	512
503	3	2965	890	899	2965	826	512
504	4	3865	890	899	3865	826	512
631	1	1265	1204	1102	1265	1036	760
632	2	2265	1204	1102	2265	1036	760
633	3	3265	1204	1102	3265	1036	760
634	4	4265	1204	1102	4265	1036	760
635	5	5265	1204	1102	5265	1036	760
636	6	6265	1204	1102	6265	1036	760

* Full dimensional details in instruction manual & website



Packing

All units are packed and shipped in horizontal airflow position. AlfaBlue Junior 351, 352, 353, 501 & 502 units are mounted on a wooden pallet and covered with a sturdy cardboard box. All other models are mounted on a wooden pallet, wrapped with plastic foil and covered with an open crate.

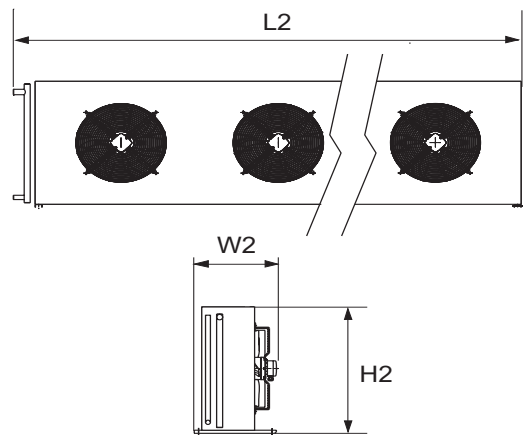
Design pressure

Design pressure 120 bar.

Code description

XG	S(E)	50	2	.1	B	D	H/V	BO	*	-	AL	2.1	K65	*
1	2	3	4	5	6	7	8	9	10		11	12	13	14

- AlfaBlue Junior gas cooler
- Sound level/fan code (T=high performance, S=standard, L=low, Q=quiet, R=residential, E=EC fan motor)
- Fan diameter (35=350, 50=500, 63=630 mm)
- Number of fans (1 to 6)
- Version number
- Tube rows code (A, B, C)
- No of phases (S=1, D=3)
- Units are suitable for both horizontal and vertical airflow (mounting feet kit required for vertical airflow setup)
- Packing (BO=box, CR=crate)
- Options
- Fin material/coating (AL=aluminium, IF=industrial fins, SWR=AlMg2.5, CU=Copper, EP=epoxy coated aluminium, FC=F-coat)
- Fin spacing (2.1, 2.5 mm)
- Tube material (K65=copper K65)
- Options



Selection

Selection and pricing is to be performed with our Alfa Laval air heat exchanger selection software. Please contact our sales organization for details and full technical documentation.

Certifications

The Alfa Laval quality system is in accordance with ISO 9001. All products are manufactured according to PED.



Архангельск (8182)63-90-72
Астана +7(7172)727-132
Астрахань (8512)99-46-04
Барнаул (3852)73-04-60
Белгород (4722)40-23-64
Брянск (4832)59-03-52
Владивосток (423)249-28-31
Волгоград (844)278-03-48
Вологда (8172)26-41-59
Воронеж (473)204-51-73
Екатеринбург (343)384-55-89
Иваново (4932)77-34-06
Ижевск (3412)26-03-58
Иркутск (395) 279-98-46

Казань (843)206-01-48
Калининград (4012)72-03-81
Калуга (4842)92-23-67
Кемерово (3842)65-04-62
Киров (8332)68-02-04
Краснодар (861)203-40-90
Красноярск (391)204-63-61
Курск (4712)77-13-04
Липецк (4742)52-20-81
Магнитогорск (3519)55-03-13
Москва (495)268-04-70
Мурманск (8152)59-64-93
Набережные Челны (8552)20-53-41
Нижний Новгород (831)429-08-12

Новокузнецк (3843)20-46-81
Новосибирск (383)227-86-73
Омск (3812)21-46-40
Орел (4862)44-53-42
Оренбург (3532)37-68-04
Пенза (8412)22-31-16
Пермь (342)205-81-47
Ростов-на-Дону (863)308-18-15
Рязань (4912)46-61-64
Самара (846)206-03-16
Санкт-Петербург (812)309-46-40
Саратов (845)249-38-78
Севастополь (8692)22-31-93
Симферополь (3652)67-13-56

Смоленск (4812)29-41-54
Сочи (862)225-72-31
Ставрополь (8652)20-65-13
Сургут (3462)77-98-35
Тверь (4822)63-31-35
Томск (3822)98-41-53
Тула (4872)74-02-29
Тюмень (3452)66-21-18
Ульяновск (8422)24-23-59
Уфа (347)229-48-12
Хабаровск (4212)92-98-04
Челябинск (351)202-03-61
Череповец (8202)49-02-64
Ярославль (4852)69-52-93

Киргизия (996)312-96-26-47

Казахстан (772)734-952-31

Таджикистан (992)427-82-92-69

Эл. почта: afm@nt-rt.ru || Сайт: <http://alfa-laval.nt-rt.ru>