

Aalborg EH-S

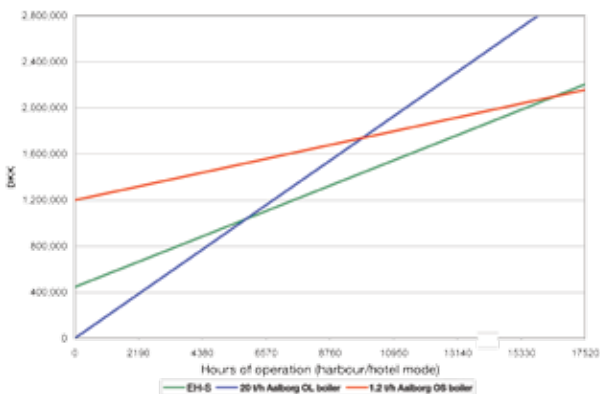
Electrical heater with control cabinet and pump for connection with existing boiler

The Aalborg EH-S is a flow through electrical heater, ideal for steam production. The heat load capacity range is up to 270 kW, with design conditions up to 16 bar(g) and 204°C. The Aalborg EH-S is installed horizontally and comes as a complete unit with control cabinet and pre-mounted pump, safety valve and non-return valve, ready for installation. Connected to the auxiliary steam boiler, the Aalborg EH-S can replace or act as a donkey boiler for certain ship types. Moreover, it is an alternative to conversion of boilers for MGO operation. The Aalborg EH-S complies with European standards and is designed for easy approval by the classification societies.

For certain ship types, the installation of the Aalborg EH-S electric flow through heater may be the ideal option for the so-called harbour / hotel mode.

The return on investment is shown below based on the actual specifications and conditions of operation. The curves of the diagram represent the typical investments and running costs for a 47,000 DWT Product Carrier with a 20 t/h boiler plant and an economizer.

Return on investment - Aalborg EH-S



The "EH-S" line indicates the gen-set operated electrical heater type Aalborg EH-S with a steam production of approx 300 kg/h usually considered sufficient for harbour / hotel mode. The "Aalborg OS" line indicates the investment and running costs for a 1.2 t/h boiler with a fuel oil consumption of 30 kg/h. The "Aalborg-OL" line indicates the running costs for an existing 20 t/h boiler with a fuel oil consumption of approx 80 kg/h. As this is an existing installation, the costs of investment are not considered.



For all curves, the fuel oil costs are based on a market price of USD 350 per metric ton (October 2009). Operational costs such as maintenance and the like are not considered in the curves. In addition to the direct investment and operational costs, a number of indirect costs and savings should also be considered. Amongst these are the extended lifetime and reduced maintenance of components, etc. of the oil-fired boiler plant if operation with a turndown ration of approx 1:10 is avoided.

Additionally, investment in the Aalborg EH-S heater or the Aalborg OS boiler adds a 100% redundant steam system to the existing boiler plant.



For easy installation, the Aalborg EH-S is designed as a complete module including control panel, circulation pump and valves. The Aalborg EH-S heater complies with European standards and is designed for easy approval by the classification societies.

Архангельск (8182)63-90-72
Астана +7(7172)727-132
Астрахань (8512)99-46-04
Барнаул (3852)73-04-60
Белгород (4722)40-23-64
Брянск (4832)59-03-52
Владивосток (423)249-28-31
Волгоград (844)278-03-48
Вологда (8172)26-41-59
Воронеж (473)204-51-73
Екатеринбург (343)384-55-89
Иваново (4932)77-34-06
Ижевск (3412)26-03-58
Иркутск (395) 279-98-46

Казань (843)206-01-48
Калининград (4012)72-03-81
Калуга (4842)92-23-67
Кемерово (3842)65-04-62
Киров (8332)68-02-04
Краснодар (861)203-40-90
Красноярск (391)204-63-61
Курск (4712)77-13-04
Липецк (4742)52-20-81
Магнитогорск (3519)55-03-13
Москва (495)268-04-70
Мурманск (8152)59-64-93
Набережные Челны (8552)20-53-41
Нижний Новгород (831)429-08-12

Новокузнецк (3843)20-46-81
Новосибирск (383)227-86-73
Омск (3812)21-46-40
Орел (4862)44-53-42
Оренбург (3532)37-68-04
Пенза (8412)22-31-16
Пермь (342)205-81-47
Ростов-на-Дону (863)308-18-15
Рязань (4912)46-61-64
Самара (846)206-03-16
Санкт-Петербург (812)309-46-40
Саратов (845)249-38-78
Севастополь (8692)22-31-93
Симферополь (3652)67-13-56

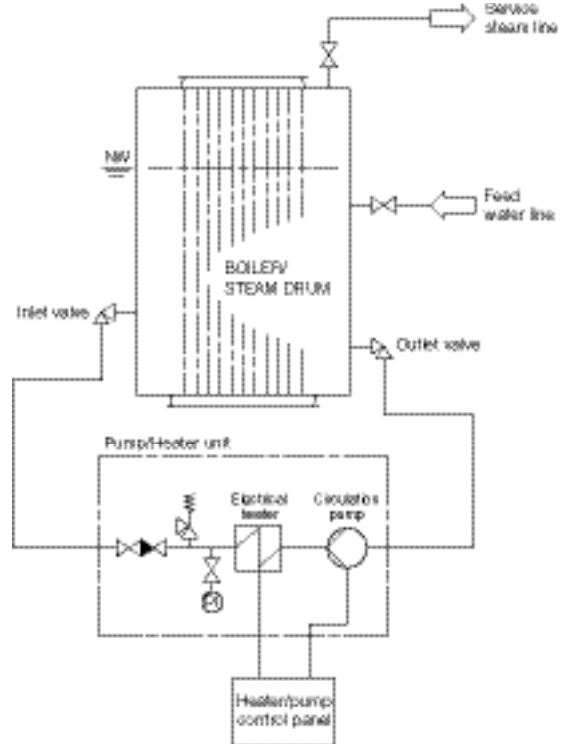
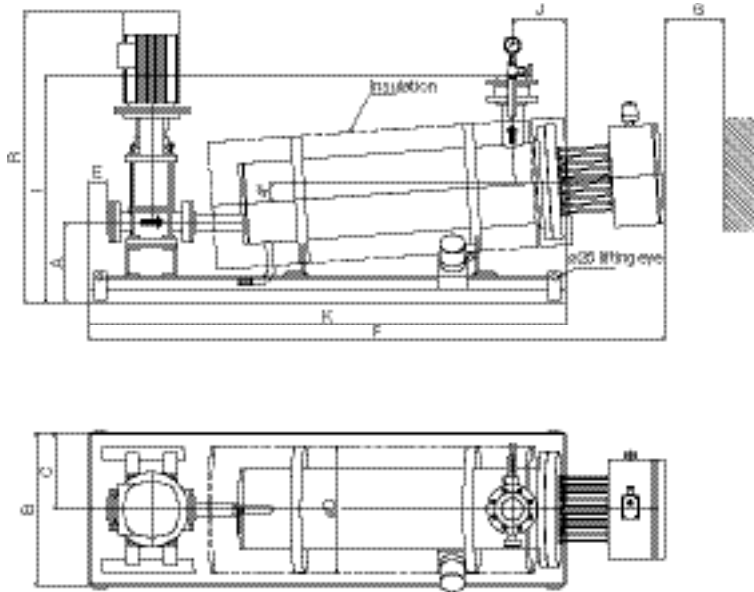
Смоленск (4812)29-41-54
Сочи (862)225-72-31
Ставрополь (8652)20-65-13
Сургут (3462)77-98-35
Тверь (4822)63-31-35
Томск (3822)98-41-53
Тула (4872)74-02-29
Тюмень (3452)66-21-18
Ульяновск (8422)24-23-59
Уфа (347)229-48-12
Хабаровск (4212)92-98-04
Челябинск (351)202-03-61
Череповец (8202)49-02-64
Ярославль (4852)69-52-93

Киргизия (996)312-96-26-47

Казахстан (772)734-952-31

Таджикистан (992)427-82-92-69

Эл. почта: afm@nt-rt.ru || Сайт: <http://alfa-laval.nt-rt.ru>



Standard product range

TYPE	EH-S30
Capacity kW – water	270
Element length	1,200
No. of elements	45
A	325
B	610
C	305
DØ	511
E	70
F	2,316
G	1,400
I	907
J	215
K	1,917
R	1,166
Flange size, inlet/outlet	DN80
Total unit weight (heater + control panel)	750 kg

All dimensions are a guideline only.
Dimension drawing will be produced upon request.

Suitable ship types

The typical type of vessels for the use of electric operated steam are:

- Product carrier
- Container vessels

Common for these type of vessels are that they often only have a large oilfired boiler and an exhaust gas boiler installed and have frequent and short harbour visits.

Dimensions in mm

Design pressure: 16 bar(g)

Design temperature: 204°C

Flanges: EN1092-1, JIS, PN16

Mounting style: Horizontally

Surface loads: 10.5 W/cm²

Архангельск (8182)63-90-72
Астана +7(7172)727-132
Астрахань (8512)99-46-04
Барнаул (3852)73-04-60
Белгород (4722)40-23-64
Брянск (4832)59-03-52
Владивосток (423)249-28-31
Волгоград (844)278-03-48
Вологда (8172)26-41-59
Воронеж (473)204-51-73
Екатеринбург (343)384-55-89
Иваново (4932)77-34-06
Ижевск (3412)26-03-58
Иркутск (395) 279-98-46

Казань (843)206-01-48
Калининград (4012)72-03-81
Калуга (4842)92-23-67
Кемерово (3842)65-04-62
Киров (8332)68-02-04
Краснодар (861)203-40-90
Красноярск (391)204-63-61
Курск (4712)77-13-04
Липецк (4742)52-20-81
Магнитогорск (3519)55-03-13
Москва (495)268-04-70
Мурманск (8152)59-64-93
Набережные Челны (8552)20-53-41
Нижний Новгород (831)429-08-12

Новокузнецк (3843)20-46-81
Новосибирск (383)227-86-73
Омск (3812)21-46-40
Орел (4862)44-53-42
Оренбург (3532)37-68-04
Пенза (8412)22-31-16
Пермь (342)205-81-47
Ростов-на-Дону (863)308-18-15
Рязань (4912)46-61-64
Самара (846)206-03-16
Санкт-Петербург (812)309-46-40
Саратов (845)249-38-78
Севастополь (8692)22-31-93
Симферополь (3652)67-13-56

Смоленск (4812)29-41-54
Сочи (862)225-72-31
Ставрополь (8652)20-65-13
Сургут (3462)77-98-35
Тверь (4822)63-31-35
Томск (3822)98-41-53
Тула (4872)74-02-29
Тюмень (3452)66-21-18
Ульяновск (8422)24-23-59
Уфа (347)229-48-12
Хабаровск (4212)92-98-04
Челябинск (351)202-03-61
Череповец (8202)49-02-64
Ярославль (4852)69-52-93

Киргизия (996)312-96-26-47

Казахстан (772)734-952-31

Таджикистан (992)427-82-92-69

Эл. почта: afm@nt-rt.ru || Сайт: <http://alfa-laval.nt-rt.ru>