

Alfa Laval AQ2T

Gasketed plate-and-frame heat exchanger for HVAC applications

Introduction

Alfa Laval AlfaQ™ is AHRI Certified® through the Liquid to Liquid Heat Exchangers (LLHE) Certification Program which ensures thermal performance in accordance with the product specifications.

Designed for high throughput, this model delivers excellent thermal performance. A large selection of plate and gasket types is available.

Applications

- HVAC

Benefits

- Flexible configuration – heat transfer area can be modified
- Easy to install – compact design
- High serviceability – easy to open for inspection and cleaning and easy to clean by CIP
- Access to Alfa Laval's global service network

Features

Every detail is carefully designed to ensure optimal performance, maximum uptime and easy maintenance. Selection of available features, depending on configuration some features may not be applicable:



- CurveFlow™ distribution area
- ClipGrip™ gasket attachment
- Offset gasket groove
- OmegaPort™ noncircular port holes
- Leak chamber
- SteerLock™ plate alignment
- FlexFlow™ plate design
- Compact frame
- Fixed bolt head
- Key hole bolt opening
- Lifting lug
- Lining
- Lock washer
- Tightening bolt cover



Alfa Laval 360° Service Portfolio

Our extensive service offering ensure top performance from your Alfa Laval equipment throughout its life cycle. The Alfa

Laval 360 Service Portfolio include installation services, cleaning and repair as well as spare parts, technical documentation and trouble shooting. We also offer replacement, retrofit, monitoring and much more.

For information about our complete service offering and how to contact us - please visit www.alfalaval.com/service.

Архангельск (8182)63-90-72
Астана +7(7172)727-132
Астрахань (8512)99-46-04
Барнаул (3852)73-04-60
Белгород (4722)40-23-64
Брянск (4832)59-03-52
Владивосток (423)249-28-31
Волгоград (844)278-03-48
Вологда (8172)26-41-59
Воронеж (473)204-51-73
Екатеринбург (343)384-55-89
Иваново (4932)77-34-06
Ижевск (3412)26-03-58
Иркутск (395) 279-98-46

Казань (843)206-01-48
Калининград (4012)72-03-81
Калуга (4842)92-23-67
Кемерово (3842)65-04-62
Киров (8332)68-02-04
Краснодар (861)203-40-90
Красноярск (391)204-63-61
Курск (4712)77-13-04
Липецк (4742)52-20-81
Магнитогорск (3519)55-03-13
Москва (495)268-04-70
Мурманск (8152)59-64-93
Набережные Челны (8552)20-53-41
Нижний Новгород (831)429-08-12

Новокузнецк (3843)20-46-81
Новосибирск (383)227-86-73
Омск (3812)21-46-40
Орел (4862)44-53-42
Оренбург (3532)37-68-04
Пенза (8412)22-31-16
Пермь (342)205-81-47
Ростов-на-Дону (863)308-18-15
Рязань (4912)46-61-64
Самара (846)206-03-16
Санкт-Петербург (812)309-46-40
Саратов (845)249-38-78
Севастополь (8692)22-31-93
Симферополь (3652)67-13-56

Смоленск (4812)29-41-54
Сочи (862)225-72-31
Ставрополь (8652)20-65-13
Сургут (3462)77-98-35
Тверь (4822)63-31-35
Томск (3822)98-41-53
Тула (4872)74-02-29
Тюмень (3452)66-21-18
Ульяновск (8422)24-23-59
Уфа (347)229-48-12
Хабаровск (4212)92-98-04
Челябинск (351)202-03-61
Череповец (8202)49-02-64
Ярославль (4852)69-52-93

Киргизия (996)312-96-26-47

Казахстан (772)734-952-31

Таджикистан (992)427-82-92-69

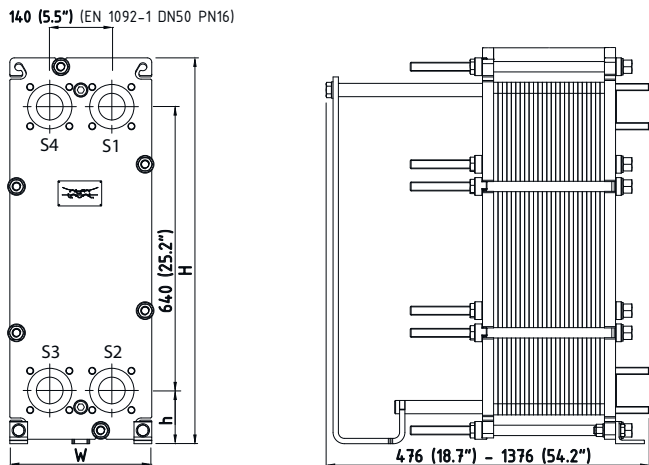
Эл. почта: afm@nt-rt.ru || Сайт: <http://alfa-aval.nt-rt.ru>

General remarks for technical information

- The global offering presented in this leaflet may not be available for all regions
- All combinations may not be configurable

Dimensional drawing

Measurements mm (inches)



Type	H	W	h
T6-FM ALS	870 (34.2")	320 (12.6")	120 (4.72")
T6-FG ALS, PED, ASME	870 (34.2")	320 (12.6")	120 (4.72")
T6-FD ALS	890 (35")	330 (13")	130 (5.12")
T6-FD PED, ASME	890 (35")	330 (13")	130 (5.12")
T6-ZM ALS	827.5 (32.57")	298 (11.73")	102.5 (4.03")

The number of tightening bolts may vary depending on pressure rating.

Technical data

Plates	Type	Free channel, mm (inches)
B	Single plate	1.80 (0.071)
P	Single plate	3.00 (0.118)

Materials

Heat transfer plates	304, 316, 254, C276, 904L, C2000, D-205, Ni, TiPd, Ti
Field gaskets	NBR, EPDM, FKM, FKMT, HNBR
Flange connections	Metal lined: stainless steel, titanium
Frame and pressure plate	Carbon steel, epoxy painted

Other materials may be available on request

Operational data

Frame, PV-code	Max. design pressure (barg/psig)	Max. design temperature (°C/°F)
FM, pvcALS	12.0/174	200/392
FG, pvcALS	18.0/261	200/392
FG, ASME	11.2/162	250/482

This document and its contents are subject to copyrights and other intellectual property rights owned by Alfa Laval Corporate AB. No part of this document may be copied, re-produced or transmitted in any form or by any means, or for any purpose, without Alfa Laval Corporate AB's prior express written permission. Information and services provided in this document are made as a benefit and service to the user, and no representations or warranties are made about the accuracy or suitability of this information and these services for any purpose. All rights are reserved.

Frame, PV-code	Max. design pressure (barg/psig)	Max. design temperature (°C/°F)
FG, PED	20.0/290	200/392
FD, pvcALS	31.0/449.5	200/392
FD, ASME	23.8/345	250/482
FD, PED	31.0/449.5	200/392
ZM, pvcALS	10.0/145	110/230

Extended pressure and temperature rating may be available on request.

Flange connections

Frame model	Connection standard
FM, pvcALS	EN 1092-1 DN50 PN10
	ASME B16.5 Class 150 NPS 2
	JIS B2220 10K 50A External thread ISO-G
FG, pvcALS	EN 1092-1 DN50 PN16
	ASME B16.5 Class 150 NPS 2
	JIS B2220 10K 50A JIS B2220 16K 50A
FG, ASME	ASME B16.5 Class 150 NPS 2
	Straight (welding) NPS 2 External thread NPT NPS 2
FG, PED	EN 1092-1 DN50 PN16
	ASME B16.5 Class 150 NPS 2
FD, pvcALS	EN 1092-1 DN50 PN25
	ASME B16.5 Class 150 NPS 4
	ASME B16.5 Class 300 NPS 2 (Rectangular Loose Flange) JIS B2220 20K 50A (Rectangular Loose Flange)
FD, ASME	ASME B16.5 Class 300 NPS 2 (Rectangular Loose Flange)
	Straight (welding) NPS 2 External thread NPT NPS 2
FD, PED	EN 1092-1 DN50 PN25
	ASME B16.5 Class 300 NPS 2 (Rectangular Loose Flange)
ZM, pvcALS	EN 1092-1 DN50 PN10

Pipe connections

Connection type	Connection standard
Threaded port	ISO 228 - G 2
External thread	ISO 228 - G 2 B

Other connection types may be available on request.

Certificates

